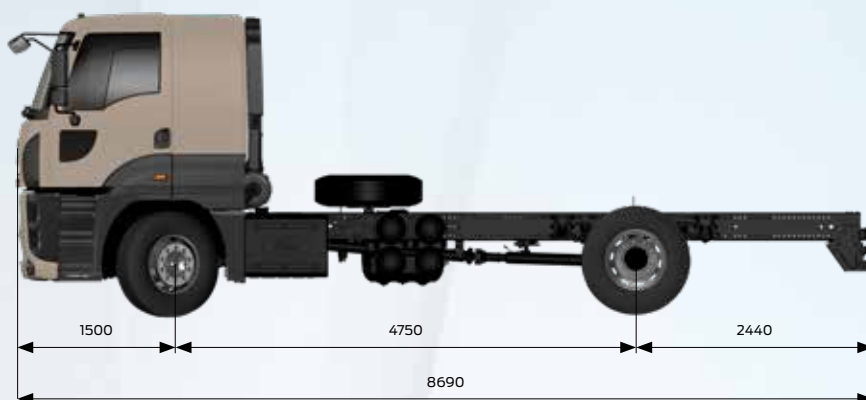


FORD TRUCKS 1833 LR EURO6



Basic Features

Vehicle Type	Light Road Truck
Axle	4x2
Emission	Euro 6
Cabin Type	Sleeper Cab
Wheelbase (mm)	4750

Engine

Type	Ecotorq 9 liters
Displacement (cc)	8974
Diameter x Stroke	115 mm x 144 mm
Power	330 PS (243 kW) @ 1655 - 2200 rpm
Torque	1300 Nm @ 1200-1700 rpm
Compression Ratio	17,6 : 1
Oil Filling Volume	30 L
Coolant Volume	46 L

Transmission

Clutch	430 mm Single Disc
Manuel Transmission / Ratios (1. gear - 9. gear)	9+1 Speed (9,40 - 0,75)
Automated Transmission / Ratios (1.gear - 9 gear)	9+1 Speed (9,48 - 0,75)

Steering

Power assisted single circuit

Chassis

Chassis Thickness	7 mm
Chassis Strength	355 MPa
Suspension (Front/Rear)	Parabolic Leaf Spring / Multi-Leaf Spring
Axle	Standard Single Reduction
Axle Ratio	4,375
Tyres	315/80 R22,5
Wheel Rim	22,5 x 9 Steel

Braking System

Brakes (Front/Rear) (Ø.mm x mm. Length)	430 x 45 - Disc Brake
Braking System	Dual Brake Circuit, Air Processing Unit With Integrated Oil Separator and Heater
Engine Brake Power	max 220 kW (Engine Level)

Electrical System

Battery	24V, 2 x 12V 180 Ah
Alternator / Starter Motor	130 A / 6,5 kW

Tanks

Fuel Tank	350 L Aluminium
SCR Tank	55 L



Sharing the load

Dimensions (mm)				
Front Overhang		1500		
Wheelbase		4750		
Overall Length		8690		
Overall Cab Length		2305		
Overall Vehicle Height		3140		
Overall Vehicle Width (Excluding Mirrors)		2540		
Chassis Width		866		
Rear Overhang		2440		
Useful Chassis Length		5937		
Chassis Height - Front		1073		
Chassis Height - Rear		1093		
Ground Clearance Front		308		
Ground Clearance Rear		252		
Turning Radius		9550		
Weights (kg)		1. Axle	2. Axle	Total
Technically Permissible Weights		7100	12600	19000
Kerb Weight		4579	2472	7051
Payload		2521	10128	11949
Gross Vehicle Mass (Legal)		7100	11500	18000

STANDARD EQUIPMENT

- Air Conditioner
- Radio/CD/MP3 Player
- Auxiliary Cabin Heater (Dry Type)
- Cruise Control
- Disc Brake
- Engine Brake
- Electronic Brake System (EBS) and Anti-Lock Brake System (ABS)
- Electronic Stability Control (ESP)
- Lane Departure Warning System (LDWS)
- Hill Launch Assist
- Differential Lock
- Electrically Operated Windows
- Electrically Operated and Heated Side Mirrors
- Electrically Operated Headlight Leveling
- Rake and Reach Adjustable Steering Column
- Heated and Air Suspended Driver Seat
- Lumbar Support
- Advanced Emergency Braking System (AEBS)
- Manually Operated Sunroof
- Brake Lining Wear Sensor
- Immobilizer
- Single Key with Remote Control and Central Locking
- Home Safe Light
- Approach Light
- Front Fog Lamps
- Digital Tachograph
- Spare Wheel
- DAB Radio**

OPTIONAL EQUIPMENT

- Firefighter Pack
- Transmission Driven PTO Options & Interior Control Unit
- Engine Driven PTO & Interior Control Unit *
- ADR
- Cold Climate Pack
- Auxiliary Cabin Heater (Wet Type)
- Power Cab Tilting
- Metallic Paint/Special Colors
- 4250 mm Wheelbase Option
- Rear Air Suspension Package - with 5500 mm Wheelbase Option, Axle Load Indicator, 315/60 Wheel, 4,11 FDR and AEBS
- 8T Front Axle Technical Capacity (except 5500 WB)
- Rain Sensor
- Auto Light Sensor
- Automated Transmission
- Less Spare Tire

* Available for Firefighter Pack only.

** DAB Radio can be standard or optional according to the market.

This leaflet includes products designed for Ford vehicles. It provides information about the current technical specifications and the standard or optional accessories available as of the date it was issued. Features of standard and optional accessories of the vehicles may be changed from time to time. For this reason, please consult our Authorized Dealers to obtain updated and accurate information on the features of the vehicle you wish to buy. For the aforementioned reason, this leaflet does not constitute an assurance as to the specifications listed herein. The images used in this leaflet may be different from the vehicles on sale. The technical specifications provided herein are for standard vehicles. Selection of any optional accessories might cause differences from these specifications.