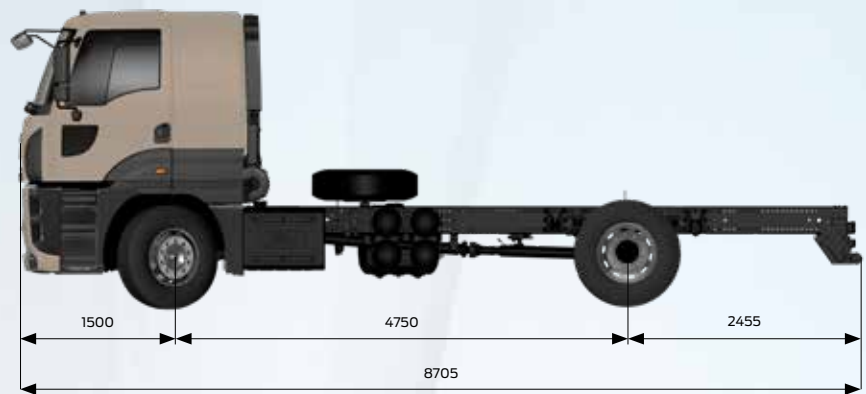


# FORD TRUCKS 1842 LRSC EURO6



## Basic Features

Vehicle Type	Road Truck
Axle	4x2
Emission	Euro 6
Cabin Type	Low Roof Sleeper Cab
Wheelbase (mm)	4750

## Engine

Type	Ecotorq 12.7 L
Displacement [cc]	12740
Diameter x Stroke	130 mm x 160 mm
Power	420 PS (308,9 kW) / 1800 rpm
Torque	2150 Nm / 1000-1300rpm
Compression Ratio	17 +/- 0,5 : 1
Oil Filling Volume [l]	50 L
Coolant volume [l]	without Intarder 57 L ; with Intarder 77 L

## Transmission

Clutch	430mm Single Disc
Automated Transmission	Ecotorq 16S 2600 DD AMT (17,03 - 1,00)
Manuel Transmission	ZF 16S 2230 (13,80 - 0,84)

## Steering

Power Assisted Single Circuit

## Chassis

Chassis thickness [mm]	7mm
Chassis Strength [MPa]	355 Mpa
Suspension (Rear/Front)	Parabolic Leaf Spring / Multileaf Spring Suspension
Axle	Single Reduction
Axle Ratio (Manual / Automated)	3,08 / 2,64
Tyres	315/80 R22,5
Wheel Rim	22,5 x 9 Steel

## Braking System

Brakes (front/rear) (Ø.mm x mm. length)	430 x 45 - Disc Brake
Braking System	Dual Brake Circuit – Air Processing Unit with Integrated Oil Separator and Heater
Engine Brake Power	max. 320 kW (Engine Level)
Intarder Power [Optional]	max. 450 kW / continuous 160 kW

## Electrical System

Battery	24 V, 2 x 12 V 180 Ah
Alternator / Starter Motor	130 A / 6.5 kW

## Tanks

Fuel Tank	350 L Aluminum
SCR	55 L



Sharing the load

Dimensions [mm]			
Front Overhang		1500	
Wheelbase		4750	
Overall Length		8705	
Overall Cab Length		2305	
Overall Vehicle Height		3120	
Overall Vehicle Width (excluding Mirrors)		2540	
Chassis Width		866	
Useful Chassis Length		5990	
Chassis Height-Front		285	
Chassis Height-Rear		285	
Ground Clearance-Front		356	
Ground Clearance-Rear		352	
Turning Radius		8400	
Weights [kg]			
	1. Axle	2. Axle	Total
Technically Permissible Weights	7100	12600	19000
Kerb Weight	4992	2628	7620
Payload	2108	9972	11380

### STANDARD EQUIPMENT

- Manual Air Conditioner
- AM/FM/Aux In/USB/Bluetooth (Radio with Bluetooth)
- Cruise Control
- Disc Brake
- Engine Brake
- Electronic Brake System (EBS)
- Differential Lock
- Electrically Operated Windows
- Electrically Operated and Heated Side mirrors
- Electrically Operated Headlight Leveling
- Rake and Reach Adjustable Steering Column
- Heated and Air Suspended Driver Seat and Fixed Passenger Seat
- Lumbar Support
- Electronic Stability Control (ESP)
- Lane Departure Warning System (LDWS)
- Active Emergency Braking System (AEBS)
- Hill Launch Assist
- Immobilizer
- Single Key with Remote Control and Central Locking
- Home Safe Lights
- Approach Lights
- Spare Wheel
- Tachograph
- Medium Bumper
- Hydraulic Cab Tilt
- Front Fog Lamps
- Manual Sunroof
- DAB Radio\*

### OPTIONAL EQUIPMENT

- Cold Pack (Includes Dry Type Heater, Wet Type Heater and 225 Ah Battery)
- Transmission Offset (Double Gear) PTO with Flange (includes Power Take off Control Unit)
- Engine Driven PTO (includes Power Take off Control Unit)
- Hydraulic Retarder (Intarder)
- Metallic Paint / Special Colors
- Lateral Protection
- Rain Sensor
- Front Towing Hooks
- 8T Front Axle Technical Capacity
- 4250 mm Wheelbase Option
- 5700 mm Wheelbase Option
- Less Spare Tire

\* DAB Radio can be standard or optional according to the market.