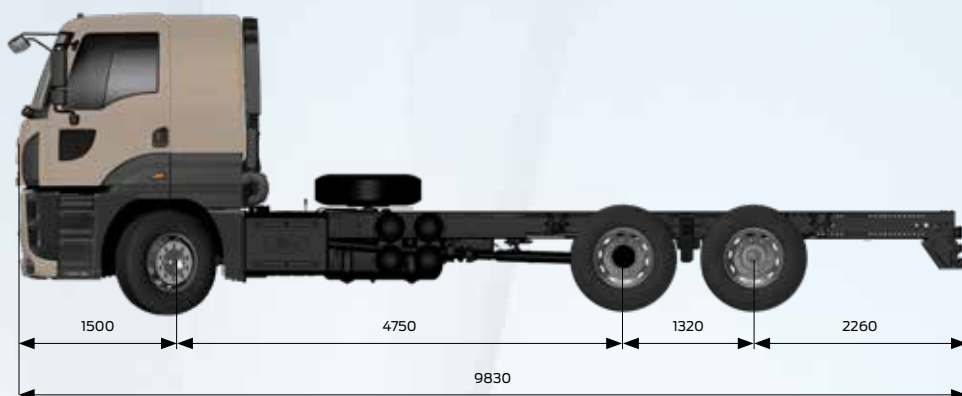


# FORD TRUCKS 2533 LR EURO6



## Basic Features

Vehicle Type	Road Truck
Axle	6x2
Emission	Euro 6
Cabin Type	Low Roof Sleeper Cab
Wheelbase (mm)	4750

## Engine

Type	Ecotorq 9 liters
Displacement (cc)	8974
Diameter x Stroke	115 mm x 144 mm
Power	330 PS (243 kW) @ 1655 - 2200 rpm
Torque	1300 Nm @ 1200-1700 rpm
Compression Ratio	17,6 : 1
Oil Filling Volume	30 L
Coolant Volume	46 L

## Transmission

Clutch	430 mm Single Disc
Manuel Transmission / Ratios (1.gear - 9. gear)	9+1 Speed (9,40 - 0,75)
Automated Transmission / Ratios (1.gear - 9 gear)	9+1 Speed (9,48 - 0,75)

## Steering

Power Assisted Single Circuit

## Chassis

Chassis Thickness	7 mm with Reinforcement
Chassis Strength	355 MPa
Suspension (Front/Rear)	Parabolic Leaf Spring / Compensating Arm Mechanical Suspension
Axle	Standard Single Reduction
Axle Ratio	4,375
Tyres (Front/Rear)	315/80 R 22,5
Wheel Rim	22,5 x 9 Steel

## Braking System

Brakes (Front/Rear) (Ø.mm x mm. Llength)	430 x 45 mm - Disc Brake
Braking System	Dual Brake Circuit - Air Processing Unit With Integrated Oil Seperator and Heater
Engine Brake Power	max. 220 kW (Engine Level)

## Electrical System

Battery	24V, 2 x 12V 180 Ah
Alternator / Starter Motor	130 A / 6,5 kW

## Tanks

Fuel Tank	550 L Aluminium
SCR Tank	78 L



Sharing the load

<b>Dimensions (mm)</b>	
Front Overhang	1500
Wheelbase	4750
Overall Length	9830
Distance between 2 <sup>nd</sup> and 3 <sup>th</sup> wheel centers	1320
Overall Cab Length	2305
Overall Vehicle Height	3140
Overall Vehicle Width (Excluding Mirrors)	2540
Chassis Width	866
Rear Overhang	2260
Useful Chassis Length	7115
Chassis Height-Front	1073
Chassis Height-Rear	1088
Ground Clearance - Front	303
Ground Clearance - Rear	248
Turning Radius	10140

<b>Weights (kg)</b>	<b>1. Axle</b>	<b>2. Axle</b>	<b>3. Axle</b>	<b>Total</b>
Technically Permissible Weights	7100	12000	8700	26000
Kerb Weight	4771	1950	1452	8173
Payload	2329	10050	7248	17827
GVM (Legal)	7100	11500	8700	25000

### STANDARD EQUIPMENT

- Air Conditioner
- Radio/CD/MP3 Player
- Auxiliary Cabin Heater (Dry Type)
- Cruise Control
- Disc Brake
- Engine Brake
- Electronic Brake System (EBS) and Anti-Lock Brake System (ABS)
- Lane Departure Warning System (LDWS)
- Hill Launch Assist
- Differential Lock
- Electrically Operated Windows
- Electrically Operated and Heated Side Mirrors
- Electrically Operated Headlight Leveling
- Rake and Reach Adjustable Steering Column
- Heated and Air Suspended Driver Seat
- Lumbar Support
- Manually Operated Sunroof
- Brake Lining Wear Sensor
- Immobilizer
- Single Key with Remote Control and Central Locking
- Home Safe Light
- Approach Light
- Front Fog Lamps
- Digital Tachograph
- Spare Wheel
- Tag Axle Lifting (Auto Drop Function)
- Advanced Emergency Braking System (AEBS)

### OPTIONAL EQUIPMENT

- Firefighter Pack
- Transmission Driven PTO Options & Interior Control Unit
- Engine Driven PTO & Interior Control Unit \*
- ADR Pack
- Cold Climate Pack
- Auxiliary Cabin Heater (Wet Type)
- Power Cab Tilting
- Metallic Paint / Special Colors
- 12 R 22,5 Tyre Option
- Low Liner Pack - with 315/60 Tyre and 4,11 Axle Ratio
- 8T Front Axle Technical Capacity (Available with 315/80 R22,5 Tyres) (except 5500 WB)
- Rain Sensor
- Auto Light Sensor
- Automated Transmission
- Less Spare Tire

\* Available for Firefighter Pack Only.