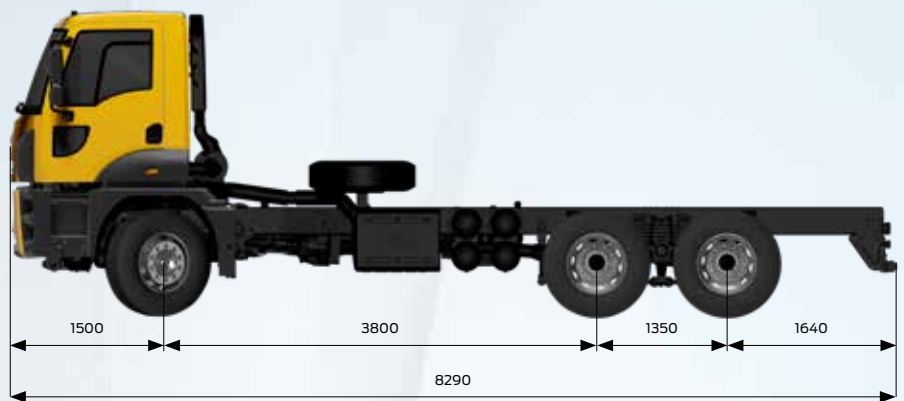


FORD TRUCKS 3542M EURO6



Basic Features

Vehicle Type	Mixer
Axle	6x4
Emission	Euro 6
Cabin Type	Day Cab
Wheelbase (mm)	3800

Engine

Type	Ecotorq 12,7 liters
Displacement (cc)	12740
Bore x Stroke	130 mm x 160 mm
Power	420 PS (308,9 kW) / 1800 rpm
Torque	2150 Nm / 1000-1300 rpm
Compression Ratio	17 +/- 0,5 : 1
Oil Filling Volume	50 L
Coolant Volume	57 L (77 L with Intarder)

Transmission

Clutch	430 mm Single Disc
Manuel Transmission / Ratios (1. gear - 16. gear)	ZF 16S 2230 (13,805-0,836)
Automated Transmission / Ratios (1. gear - 16. gear)	Ecotorq 16S 2600 OD AMT (14,107 - 0,823)

Steering

Power Assisted Single Circuit

Chassis

Chassis Thickness	10 mm with Local Reinforcement
Chassis Strength	500 MPa
Suspension (Front / Rear)	90 mm Parabolic Leaf Springs / 100 mm Parabolic Tandem Suspension
Axle	Hub Reduction
Axle Ratio	4,08 / 3,57
Tyres	315/80 R 22,5
Wheel Rim	22,5 x 9 Steel

Braking System

Brakes (Ø mm x mm length)	430 x 45 - Disc Brakes
Braking System	Dual Brake Circuit - Air Processing Unit with Integrated Oil Separator and Heater
Engine Brake Power	max. 320 kW (Engine Level)
Intarder Power	max. 450 kW / continuous 160 kW

Electrical System

Battery	24V, 2 x 12V 150 Ah
Alternator / Starter Motor	130 A / 6,5 kW

Tanks

Fuel Tank	315 L Steel
SCR Tank	55 L



Sharing the load

Dimensions (mm)	
Front Overhang	1500
Wheelbase	3800
Overall Length	8290
Distance Between 2 nd and 3 th Wheel Centers	1350
Overall Cab Length	1820
Overall Vehicle Height	3168
Overall Vehicle Width (Excluding Mirrors)	2540
Chassis Width	770
Rear Overhang	1640
Useful Chassis Length	5885
Chassis Height-Front	1126
Chassis Height-Rear	1148
Ground Clearance-Front	369
Ground Clearance-Rear	294
Turning Radius	8790

Weights (kg)	1. Axle	2. Axle	3. Axle	Total
Technically Permissible Weights	8000	13400	13400	34800
Kerb Weight	5150	2426	2211	9787
Payload	2850	10974	11189	25013
GVM (Legal)	7500	9500	9500	26000

STANDARD EQUIPMENT

- Air Conditioner
- AM/FM/Aux In/USB/Bluetooth (Radio with Bluetooth)
- 4 Points Independent Cab Suspension for Day Cab
- Engine Driven PTO & Interior Control Unit
- Cruise Control
- Engine Brake
- Disc Brake
- Electrically Operated Windows
- Heated and Electrically Operated Side Mirrors
- Electrically Operated Headlamp Leveling
- Rake and Reach Adjustable Steering Column
- Electrically Operated and Heated Side Mirrors
- Lumbar Support
- Front and Rear Vehicle Antiroll Bars
- Anti-Lock Brake System (ABS)
- Continuous Wear Sensor
- Immobilizer
- Single Key with Remote Control and Central Locking
- Home Safe Light
- Approach Light
- Differential Lock
- Digital Tachograph
- Front Towing Hooks (Double Hook)
- Oil Pan Protection
- Short Bumper
- DAB Radio*

OPTIONAL EQUIPMENT

- Transmission Offset (Double Gear) PTO without Flange (includes Power Take off Control Unit)
- Transmission Direct (Double Gear) PTO with Flange (includes Power Take off Control Unit)
- Automated Transmission (with Normal Mode, Off-Road Mode, Rocking Mode)
- Intarder
- ADR Pack
- Low Roof Sleeper Cab with Single Bed
- Auxiliary Cabin Heater (Wet Type)
- Cold Pack with Wet Type Cab Heater and 225 Ah Battery
- Cold Pack with Dry & Wet Type Cab Heater
- Power Cab Tilting
- Switchable Air Compressor for Improved Fuel Economy
- Transmission Driven PTO Options & Interior Control Unit
- Manually Operated Sunroof
- Dual Passenger Seat
- Automatic Traction Control (ATC)
- Less Spare Tire
- Rear Towing Hook
- Electronic Brake System (EBS) and Electronic Stability Control (ESP)

* DAB Radio can be standard or optional according to the market.