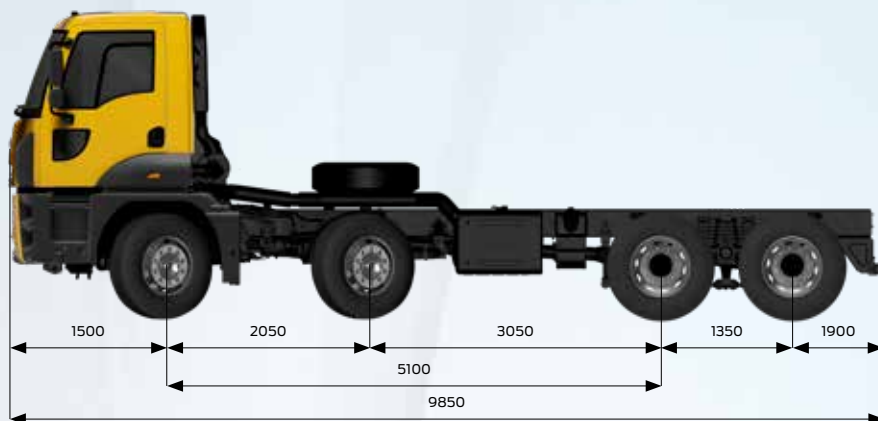


FORD TRUCKS 4142P EURO6



Basic Features

Vehicle Type	Concrete Pump
Axle	8x4
Emission	Euro 6
Cabin Type	Day Cab
Wheelbase (mm)	5100

Engine

Type	Ecotorq 12.7 lt
Displacement (cc)	12740
Bore x Stroke	130 mm x 160 mm
Power	420 PS (308,9 kW) / 1800 RPM
Torque	2150 Nm / 1000-1300 RPM
Compression Ratio	17 +/- 0,5 : 1
Oil Filling Volume	50 L
Coolant Volume	57 L

Transmission

Clutch	430 mm Single Disc
Manuel Transmission / Ratios (1. gear - 16. gear)	ZF 16S 2230 (13,805-0,836)

Steering

Power Assisted Single Circuit

Chassis

Chassis Thickness	10 mm with Local Reinforcement
Chassis Strength	500 MPa
Suspension (Front / Rear)	90 mm Parabolic Leaf Springs / 100 mm Parabolic Tandem Suspension
Axle	Hub Reduction
Axle Ratio	4,08
Tyres	315/80 R 22,5
Wheel Rim	22,5 x 9 Steel

Braking System

Brakes (Ø mm x mm Length)	410 x 200, Z-Cam Drum Brake System
Braking System	Dual Brake Circuit - Air Processing Unit with Integrated Oil Separator and Heater
Engine Brake Power	max. 320 kW (Engine Level)

Electrical System

Battery	24 V, 2 x 12 V 150 Ah
Alternator / Starter Motor	130 A / 6,5 kW

Tanks

Fuel Tank	250 L Steel
SCR Tank	55 L



Sharing the load

Dimensions (mm)					
Front Overhang	1500				
Wheelbase	5100				
Overall Length	9850				
Distance Between 1 st and 2 nd Wheel Centers	2050				
Distance Between 2 nd and 3 th Wheel Centers	3050				
Distance Between 3 th and 4 th Wheel Centers	1350				
Overall Cab Length	1820				
Total Vehicle Height	3195				
Overall Vehicle Width (Excluding Mirrors)	2540				
Chassis Width	770				
Rear Overhang	1900				
Useful Chassis Length	7440				
Chassis Height - Front	1146				
Chassis Height - Rear	299				
Ground Clearance - Front	282				
Ground Clearance - Rear	297				
Turning Radius	11930				
Weights (kg)	1. Axle	2. Axle	3. Axle	4. Axle	Total
Technically Permissible Weights	8000	8000	13400	13400	41900
Kerb Weight	3750	3776	1843	1843	11212
Payload	4250	4224	11557	11557	27788
GVM (Legal)	8000	8000	9500	9500	32000

STANDARD EQUIPMENT

- Manuel Air Conditioner
- AM/FM/Aux In/USB/Bluetooth (Radio with Bluetooth)
- 4 Points Independent Cab Suspension for Day Cab
- Cruise Control
- Engine Brake
- Drum Brake
- Electrically Operated Windows
- Electrically Operated and Heated Side Mirrors
- Electrically Operated Headlamp Leveling
- Rake and Reach Adjustable Steering Column
- Heated and Air Suspended Driver Seat
- Lumbar Support
- Front and Rear Vehicle Antiroll Bars
- Anti-Lock Brake System (ABS)
- Brake Lining Wear Indicator
- Immobilizer
- Single Key with Remote Control and Central Locking
- Home Safe Light
- Approach Light
- Differential Lock
- Digital Tachograph
- Switchable Air Compressor for Improved Fuel Economy
- Rear Window
- Short Bumper
- Front Towing Hooks (Double Hook)
- Electro-Hydraulic Power-Assisted Steering System (EHPAS)
- DAB Radio*

OPTIONAL EQUIPMENT

- 6000 mm Wheelbase Option
- ADR Pack
- Auxiliary Cabin Heater (Wet Type)
- Cold Pack with Wet Type Cab Heater and 225 Ah Battery
- Power Cab Tilting
- Engine Driven PTO & Interior Control Unit
- Dual Passenger Seat
- Lateral Protection
- Automatic Traction Control (ATC)
- Manually Operated Sunroof
- Less Spare Tire

* DAB Radio can be standard or optional according to the market