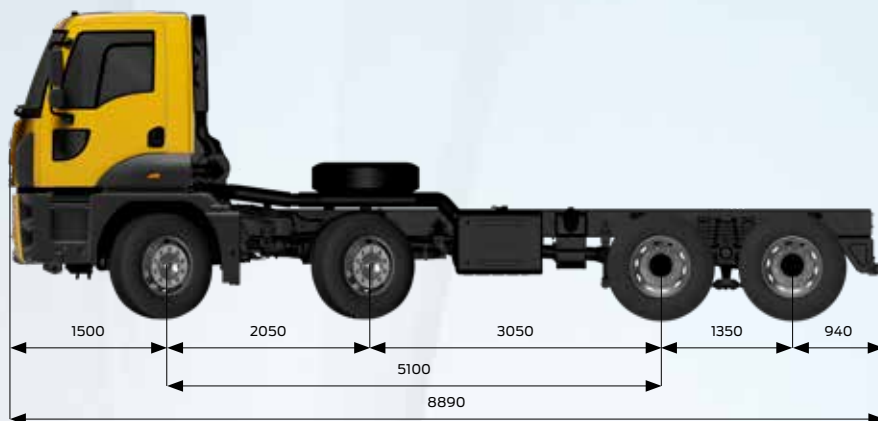


FORD TRUCKS 4142XD EURO6



Basic Features

| | |
|----------------|---------|
| Vehicle Type | Tipper |
| Axle | 8x4 |
| Emission | Euro 6 |
| Cabin Type | Day Cab |
| Wheelbase (mm) | 5100 |

Engine

| | |
|--------------------|------------------------------|
| Type | Ecotorq 12,7 litre |
| Displacement (cc) | 12740 |
| Diameter x Stroke | 130 mm x 160 mm |
| Power | 420 PS (308,9 kW) / 1800 rpm |
| Torque | 2150 Nm / 1000-1300 rpm |
| Compression Ratio | 17 +/- 0,5 : 1 |
| Oil Filling Volume | 50 L |
| Coolant Volume | 57 L (with Intarder 77 L) |

Transmission

| | |
|--|---------------------------------------|
| Clutch | 2 x 400 mm Twin Clutch |
| Manuel Transmission / Ratios (1. gear - 16. gear) | ZF 16S 2230 (13,805-0,836) |
| Automated Transmission / Ratios (1. gear - 16. gear) | Ecotorq 16S 2600 OD (14,107 - 0,823) |

Steering

Power assisted single circuit

Chassis

| | |
|---------------------------------|--|
| Chassis Thickness | 10 mm with Reinforcement |
| Chassis Strength | 500 MPa |
| Suspension (Front / Rear) | Parabolic Leaf Springs / Parabolic Tandem Suspension |
| Axle | Hub Reduction |
| Axle Ratio (Manual / Automatic) | 4,87 / 4,08 |
| Tyres | 13 R22,5 |
| Wheel Rim | 22,5 x 9 Steel |

Braking System

| | |
|---------------------------|---|
| Brakes (Ø mm x mm Length) | 410 X 200, Z-Cam Drum Brake System |
| Braking System | Dual Brake Circuit – Air Processing Unit with Integrated Oil Seperator and Heater |
| Engine Brake Power | max. 320 kW (Engine Level) |
| Intarder Power | max. 450 kW / continuous 160kW |

Electrical System

| | |
|----------------------------|---------------------|
| Battery | 24V, 2 x 12V 150 Ah |
| Alternator / Starter Motor | 130 A / 6,5 kW |

Tanks

| | |
|-----------|-------------|
| Fuel Tank | 315 L Steel |
| SCR Tank | 55 L |



Sharing the load

| Dimensions (mm) | | | | | |
|---------------------------------------|---------|---------|---------|---------|-------|
| Front Overhang | 1500 | | | | |
| Wheelbase | 5100 | | | | |
| Overall Length | 8890 | | | | |
| Overall Vehicle Height | 3254 | | | | |
| Overall Cab Length | 1820 | | | | |
| Rear Overhang | 940 | | | | |
| Useful Chassis Length | 6494 | | | | |
| Overall Vehicle Width (Excl. Mirrors) | 2540 | | | | |
| Ground Clearance - Front | 455 | | | | |
| Ground Clearance - Rear | 390 | | | | |
| Overall Vehicle Width (Excl. Mirrors) | 2540 | | | | |
| Weights (kg) | | | | | |
| | 1. Axle | 2. Axle | 3. Axle | 4. Axle | Total |
| Technically Permissible Weights | 8000 | 8000 | 13400 | 13400 | 41900 |
| Kerb Weight | 3610 | 4228 | 2100 | 1960 | 11897 |
| Payload | 4390 | 3772 | 11300 | 11440 | 30003 |
| GVM (Legal) | 8000 | 8000 | 9500 | 9500 | 32000 |

STANDARD EQUIPMENT

- Extra Heavy Duty Features (Twin Clutch, 13R 22.5 Tyre, Fuel Tank Guard, Parabolic Tandem Suspension)
- Manuel Air Conditioner
- AM/FM/Aux In/USB/Bluetooth (Radio with Bluetooth)
- Transmission Offset (double gear) PTO without Flange
- 4 Point Independent Cab Suspension for Day Cab
- Drum Brake
- Cruise Control
- Electrically Operated Windows
- Electrically Operated and Heated Side Mirrors
- Electrically Operated Headlamp Leveling
- Rake and Reach Adjustable Steering Column
- Heated and Air Suspended Driver Seat
- Lumbar Support
- Short Bumper
- Front Vehicle Antiroll Bar
- Anti-lock Brake System (ABS)
- Brake Lining Wear Sensor
- Immobilizer
- Single Key with Remote Control and Central Locking
- Home Safe
- Approach Lights
- Differential Lock
- Digital Tachograph
- Switchable Air Compressor (For Improved Fuel Economy)
- Front Towing Hooks (Double Hook)
- Reinforced Wheel Rim
- DAB Radio**
- Electro-Hydraulic Power-Assisted Steering System (EHPAS)

OPTIONAL EQUIPMENT

- Automated Transmission (with Normal Mode, Off-Road Mode, Rocking Mode)
- Engine Driven PTO and Interior Control Unit
- Transmission Direct (Double Gear) PTO without Flange (includes Power Take off Control Unit)
- Intarder
- Auxiliary Cabin Heater (Wet Type)
- Cold Pack with Wet Type Cab Heater and 225 Ah Battery
- Electrically Operated Cab Tilting
- Oil Pan Protection
- Dual Passenger Seat *
- Manually Operated Sunroof
- Low Roof Sleeper Cab
- Lateral Protection
- Rear Window
- Automatic Traction Control (ATC)
- Less Spare Tire
- Rear Towing Hook

*Not available with Low Roof Sleeper Cab.

**DAB Radio can be standard or optional according to the market.

This leaflet includes products designed for Ford vehicles. It provides information about the current technical specifications and the standard or optional accessories available as of the date it was issued. Features of standard and optional accessories of the vehicles may be changed from time to time. For this reason, please consult our Authorized Dealers to obtain updated and accurate information on the features of the vehicle you wish to buy. For the aforementioned reason, this leaflet does not constitute an assurance as to the specifications listed herein. The images used in this leaflet may be different from the vehicles on sale. The technical specifications provided herein are for standard vehicles. Selection of any optional accessories might cause differences from these specifications.