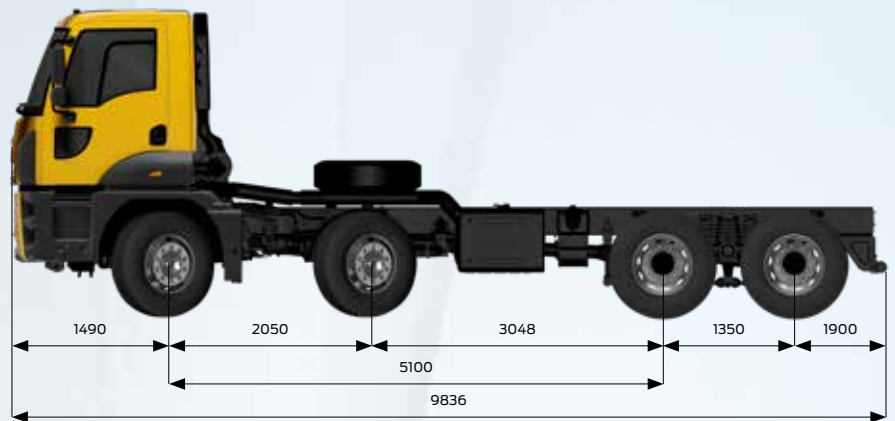


FORD TRUCKS 4442P EURO6



Basic Features

Vehicle Type	Concrete Pump
Axle	8x4
Emission	Euro 6
Cabin Type	Day Cab
Wheelbase (mm)	5100

Engine

Type	Ecotorq 12.7 lt
Displacement (cc)	12740
Bore x Stroke	130 mm x 160 mm
Power	420 PS (308,9 kW) / 1800 RPM
Torque	2150 Nm / 1000-1300 RPM
Compression Ratio	17 +/- 0,5 : 1
Oil Filling Volume	50 L
Coolant Volume	57 L

Transmission

Clutch	430 mm Single Disc
Manuel Transmission / Ratios (1. gear - 16. gear)	ZF 16S 2230 (13,805-0,836)

Steering

Power Assisted Single Circuit

Chassis

Chassis Thickness	10 mm with Local Reinforcement
Chassis Strength	500 MPa
Suspension (Front / Rear)	90 mm Parabolic Leaf Springs / 100 mm Parabolic Tandem Suspension
Axle	Hub Reduction
Axle Ratio	4,08
Tyres	385/65R 22.5
Wheel Rim	22,5 x 11,75 Steel

Braking System

Brakes (Ø mm x mm Length)	410 x 200, Z-Cam Drum Brake System
Braking System	Dual Brake Circuit - Air Processing Unit with Integrated Oil Separator and Heater
Engine Brake Power	max. 320 kW (Engine Level)

Electrical System

Battery	24 V, 2 x 12 V 150 Ah
Alternator / Starter Motor	130 A / 6,5 kW

Tanks

Fuel Tank	250 L Steel
SCR Tank	55 L



Sharing the load

Dimensions (mm)

Front Overhang	1490
Wheelbase	5100
Overall Length	9836
Distance Between 1 st and 2 nd Wheel Centers	2050
Distance Between 2 nd and 3 th Wheel Centers	3048
Distance Between 3 th and 4 th Wheel Centers	1350
Overall Cab Length	1827
Total Vehicle Height	3237
Overall Vehicle Width (Excluding Mirrors)	2540
Chassis Width	770
Rear Overhang	1900
Useful Chassis Length	7435
Chassis Height - Front	1174
Chassis Height - Rear	1155
Ground Clearance - Front	376
Ground Clearance - Rear	302
Turning Radius	11930

Weights (kg)	1. Axle	2. Axle	3. Axle	4. Axle	Total
Technically Permissible Weights	9000	9000	13400	13400	44000
Kerb Weight	3620	3620	2249	2024	11513
Payload	5380	5380	11151	11376	32487
GVM (Legal)	8000	8000	9500	9500	32000

STANDARD EQUIPMENT

- Manuel Air Conditioner
- AM/FM/Aux In/USB/Bluetooth (Radio with Bluetooth)
- 4 Points Independent Cab Suspension for Day Cab
- Cruise Control
- Engine Brake
- Drum Brake
- Electrically Operated Windows
- Electrically Operated and Heated Side Mirrors
- Electrically Operated Headlamp Leveling
- Rake and Reach Adjustable Steering Column
- Heated and Air Suspended Driver Seat
- Lumbar Support
- Front and Rear Vehicle Antiroll Bars
- Anti-Lock Brake System (ABS)
- Brake Lining Wear Indicator
- Immobilizer
- Single Key with Remote Control and Central Locking
- Home Safe Light
- Approach Light
- Differential Lock
- Digital Tachograph
- Switchable Air Compressor for Improved Fuel Economy
- Rear Window
- Short Bumper
- Front Towing Hooks (Double Hook)
- Electro-Hydraulic Power-Assisted Steering System (EHPAS)
- DAB Radio**

OPTIONAL EQUIPMENT

- 6000 mm Wheelbase Option
- ADR Pack
- Auxiliary Cabin Heater (Wet Type)
- Cold Pack with Wet Type Cab Heater and 225 Ah Battery
- Power Cab Tilting
- Engine Driven PTO & Interior Control Unit
- Dual Passenger Seat
- Lateral Protection
- Automatic Traction Control (ATC)
- Manually Operated Sunroof
- Less Spare Tire

* Available with 6000 mm Wheelbase Option

** DAB Radio can be standard or optional according to the market.

This leaflet includes products designed for Ford vehicles. It provides information about the current technical specifications and the standard or optional accessories available as of the date it was issued. Features of standard and optional accessories of the vehicles may be changed from time to time. For this reason, please consult our Authorized Dealers to obtain updated and accurate information on the features of the vehicle you wish to buy. For the aforementioned reason, this leaflet does not constitute an assurance as to the specifications listed herein. The images used in this leaflet may be different from the vehicles on sale. The technical specifications provided herein are for standard vehicles. Selection of any optional accessories might cause differences from these specifications.