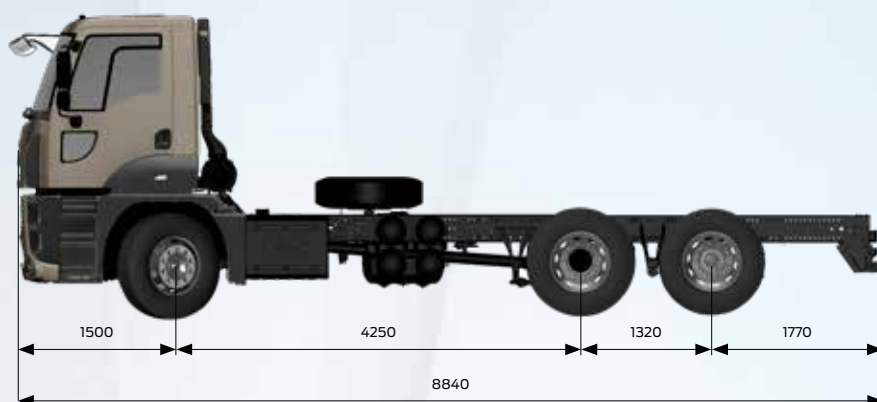


# FORD TRUCKS 2633 DC REAR STEERABLE EURO6



## Basic Features

Vehicle Type	Road Truck
Axle	6x2/4
Emission	Euro 6
Cabin Type	Day Cab
Wheelbase (mm)	4250

## Engine

Type	Ecotorq 9 liters
Displacement (cc)	8974
Diameter x Stroke	115 mm x 144 mm
Power	330 PS (243 kW) @ 1655 - 2200 rpm*
Torque	1300 Nm @ 1200-1700 rpm
Compression Ratio	17,6 : 1
Oil Filling Volume	30L
Coolant Volume	46L

\* Maximum power can be taken between 1700 - 2200 rpm with vertical exhaust option.

## Transmission

Clutch	430mm Single Disc
Manuel Transmission / Ratios (1. gear - 9. gear)	9+1 Speed (9,48 - 0,75)
Automated Transmission / Ratios (1. gear - 9.gear)	9+1 Speed (9,48 - 0,75)

## Steering

Power Assisted Single Circuit

## Chassis

Chassis Thickness (mm)	7mm with Reinforcement
Chassis Strength [MPa]	355 Mpa
Suspension (Front/Rear)	Parabolic Leaf Springs / Air Suspension
Axle (Front/Rear)	Standard Single Reduction
5th Wheel Options	4,375
Tyres	315/70 R 22,5
Wheel Rim	22,5 x 9 Steel

## Braking System

Brakes (Front/Rear) (Ø.mm x mm. Length)	430 x 45, Disc Brake
Braking System	Dual Brake Circuit – Air Processing Unit with Integrated Oil Separator and Heater
Engine Brake Power	max. 220 kW (Engine Level)

## Electrical System

Battery	150 Ah
Alternator / Starter Motor	130 A / 6.5 kW

## Tanks

Fuel Tank	400 L
SCR Tank	55 L



Sharing the load

## Dimensions (mm)

Front Overhang	1500
Wheelbase	4250
Overall Length	8850
Overall Cab Length	1820
Height @Curb (w/o Rails)	3130
Rear Overhang	1780
Overall Vehicle Width (Excl. Mirrors)	2540

Weights (kg)	1. Axle	2. Axle	3. Axle	Total
Technically Permissible Weights	7150	11500	7500	26000
Kerb Weight *	4648	2184	939	7771
Payload	2502	9316	6561	18229
Legally Permissible Weight	7150	11500	7500	26000

## STANDARD EQUIPMENT

- Air Conditioner
- Radio/CD Player
- Disc Brake
- Engine Brake
- 4 Point Independent Cab Suspension for Day Cab
- Cruise Control
- Electrically Operated Windows
- Electrically Operated and Heated Side Mirrors
- Electrically Operated Headlamp Leveling
- Rake and Reach Adjustable Steering Column
- Hill Launch Assist
- Heated and Air Suspended Driver Seat
- Lumbar Support
- Electronic Brake System (EBS) including
- Anti-lock Brake System (ABS)
- Electronic Stability Control (ESP)
- Advanced Emergency Braking System (AEBS)
- Lane Departure Warning System (LDWS)
- Brake Lining Wear Sensor
- Immobilizer
- Auto Lights
- Single Key with Remote Control and Central Locking
- Home Safe
- Differential Lock
- Front Fog Lamps
- Rear Fog Lamps
- Digital Tachograph
- Switchable Air Compressor  
(For Improved Fuel Economy)
- Tag Axle Lifting (including auto drop)
- Steerable Rear Axle

## OPTIONAL EQUIPMENT

- Transmission Driven PTO & Interior Control units
- ADR Pack
- Cold Pack with Wet Type Cab Heater
- Electrically Operated Cab Tilting
- Rain Sensor
- Auto Light Sensor
- Automated Transmission
- High Roof & Low Roof Sleeper Cab Availability
- 8 Ton Front Axle Capacity with 315/80 R22.5 Tire & 4,375 FDR
- Manually Operated Sunroof
- Less Spare Tire
- 4750 mm Wheelbase