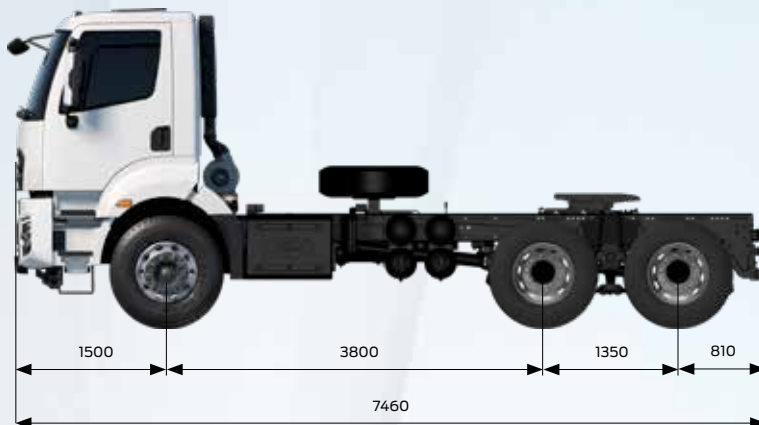
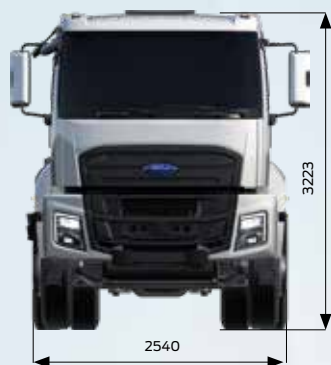


FORD TRUCKS 3548T DC EURO6



Basic Features

Vehicle Type	Tractor
Axle	6x4
Emission	Euro 6
Cabin Type	Day Cab
Wheelbase (mm)	3800

Engine

Type	Ecotorq 12.7 liter
Displacement [cc]	12740
Diameter x Stroke	130 mm x 160 mm
Power	480 PS (353 kW) / 1800 rpm
Torque	2500 Nm / 1000-1200 rpm
Compression Ratio	17 +/- 0,5 : 1
Oil Filling Volume [l]	50 L
Coolant volume [l]	57 L (with Retarder 77 L)

Transmission

Clutch	2 x 400 mm Twin Clutch
Manuel Transmission / ratios (1.gear- 16. gear)	ZF 16S 2530 (13,80-0,84)

Steering

Power Assisted Single Circuit

Chassis

Chassis thickness [mm]	10mm with Reinforcement
Chassis Strength [MPa]	500 MPa
Suspension (Rear/Front)	Parabolic Leaf Springs / Parabolic Tandem Suspension
Axle	Hub Reduction
Axle Ratio	4,87
5th Wheel Options	1400mm Height / 3,5 mm King Pin
Tyres	315/80 R 22,5
Wheel Rim	22,5 x 9 Steel

Braking System

Brakes (front/rear) (Ø.mm x mm. length)	410 X 200, Z-Cam Drum Brake System
Braking System	Dual Brake Circuit – Air Processing Unit with Integrated Oil Separator and Heater
Engine Brake Power	max. 320 kW (Engine Level)
Retarder Power [Optional]	max. 450 kW / continuous 160kW

Electrical System

Battery	225 Ah
Alternator / Starter Motor	130 A / 6.5 kW

Tanks

Fuel Tank	400L Aluminum
SCR Tank	55 L



Sharing the load

Dimensions [mm]				
Front Overhang				1500
Wheelbase				3800
Overall Length				7460
Overall Vehicle Height				3223
Overall Cab Length				2090
Rear Overhang				810
Overall Vehicle Width (Excl. Mirrors)				2540
Ground Clearance - Front				380
Ground Clearance - Rear				305
Turning Radius				8750
Weights [kg]				
	1. Axle	2. Axle	3. Axle	Total
Technically Permissible Weights	8000	13400	13400	32000
Kerb Weight	5706	2875	2519	11100
Payload	2294	2875	10881	20900
GCW				70000

STANDARD EQUIPMENT

- Air Conditioner
- Multimedia System with 9" Touch Screen & Navigation (Radio, Bluetooth, USB (A Type - C Type) , Apple CarPlay, Android Auto, Remote Control)
- Transmission Offset (double gear) PTO without Flange
- Mechanical Cab Suspension
- Cruise Control
- Drum Brake
- Engine Brake
- Electrically Operated Windows
- Electrically Operated and Heated Side Mirrors
- Electrically Operated Headlamp Leveling
- Rake and Reach Adjustable Steering Column
- Heated and Air Suspended Driver Seat
- Lumbar Support
- Top mounted spare wheel carrier
- Anti-lock Brake System (ABS)
- Pad Wear Indicator
- Immobilizer
- Home Safe Light
- Differential Lock
- Short Bumper
- 8T Front Axle Capacity
- DAB Radio*
- Front Towing Hooks (Double Hook)
- Advanced Driver-Assistance Systems (Cybersecurity Improvements, Rear View Camera, Moving-off Information System, Blind Spot Information System, Tire Pressure Monitoring System, Emergency Stop Signal, Alcohol Interlock Facilitation, Traffic Sign Recognition, Driver Alert System, Lane Keeping Alert)
- Electronic Brake System (EBS) and Electronic Stability Control (ESP)
- 2 Point Fixed Cab Suspension

OPTIONAL EQUIPMENT

- Transmission Driven PTO Options & Interior Control Unit
- Engine PTO Options & Interior Control Unit
- Retarder
- Low Roof Sleeper Cab
- High Roof Sleeper Cab
- Electrically Operated Cab Tilting
- 225 Ah battery
- 1350, 1450 5.Wheel Options
- ADR
- Additional Fuel Tank 510L + 410L
- Wet Type Auxiliary Heater
- Less Spare Tire
- Led Headlamps

*DAB Radio can be standard or optional according to the market.

This leaflet includes products designed for Ford vehicles. It provides information about the current technical specifications and the standard or optional accessories available as of the date it was issued. Features of standard and optional accessories of the vehicles may be changed from time to time. For this reason, please consult our Authorized Dealers to obtain updated and accurate information on the features of the vehicle you wish to buy. For the aforementioned reason, this leaflet does not constitute an assurance as to the specifications listed herein. The images used in this leaflet may be different from the vehicles on sale. The technical specifications provided herein are for standard vehicles. Selection of any optional accessories might cause differences from these specifications.