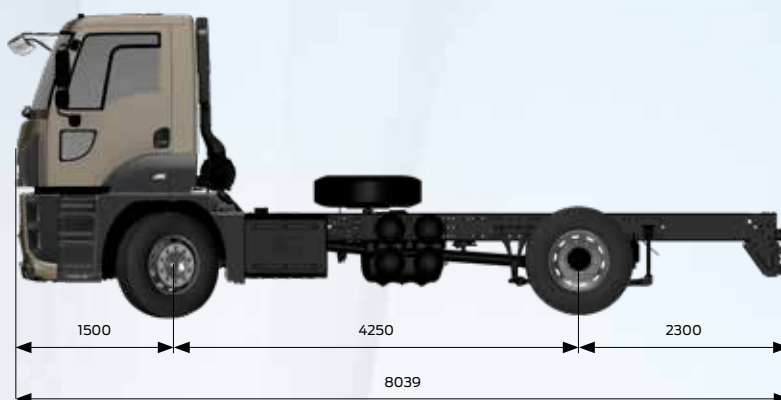


FORD TRUCKS 1833 DC EURO6



Basic Features

Vehicle Type	Light Road Truck
Axle	4x2
Emission	Euro 6
Cabin Type	Day Cab
Wheelbase (mm)	4250

Engine

Type	Ecotorq 9 liters
Displacement (cc)	8974
Diameter x Stroke	115 mm x 144 mm
Power	330 PS (243 kW) @ 1655 - 2200 rpm*
Torque	1300 Nm @ 1200-1700 rpm
Compression Ratio	17,6 : 1
Oil Filling Volume	30 L
Coolant Volume	46 L

* Maximum power can be taken between 1700 - 2200 rpm with vertical exhaust option.

Transmission

Clutch	430 mm Single Disc
Manuel Transmission / Ratios (1. gear - 9. gear)	9+1 Speed (9,40 - 0,75)
Automated Transmission / Ratios (1.gear - 9 gear)	9+1 Speed (9,48 - 0,75)

Steering

Power assisted single circuit

Chassis

Chassis Thickness	7 mm
Chassis Strength	355 MPa
Suspension (Front/Rear)	Parabolic Leaf Spring / Multi-Leaf Spring
Axle	Standard Single Reduction
Axle Ratio	4,11
Tyres	315/70 R22,5
Wheel Rim	22,5 x 9 Steel

Braking System

Brakes (Front/Rear) (Ø.mm x mm. Length)	430 x 45 - Disc Brake
Braking System	Dual Brake Circuit, Air Processing Unit With Integrated Oil Seperator and Heater
Engine Brake Power	max 220 kW (Engine Level)

Electrical System

Battery	24V, 2 x 12V 150 Ah
Alternator / Starter Motor	130 A / 6,5 kW

Tanks

Fuel Tank	350 L Aluminium
SCR Tank	55 L



Sharing the load

Dimensions (mm)				
Front Overhang		1500		
Wheelbase		4250		
Overall Length		8039		
Overall Cab Length		1820		
Overall Vehicle Height		3100		
Overall Vehicle Width (Excluding Mirrors)		2540		
Chassis Width		866		
Rear Overhang		2300		
Useful Chassis Length		5823		
Chassis Height - Front		1032		
Chassis Height - Rear		1086		
Ground Clearance Front		252		
Ground Clearance Rear		183		
Turning Radius		8400		
Weights (kg)		1. Axle	2. Axle	Total
Technically Permissible Weights		7500	12600	19000
Kerb Weight		4439	2300	6740
Payload		3061	10300	12260

STANDARD EQUIPMENT

- Air Conditioner
- Radio/CD/MP3 Player
- Cruise Control
- Disc Brake
- Engine Brake
- Electronic Brake System (EBS) and Anti-Lock Brake System (ABS)
- Electronic Stability Control (ESP)
- Lane Departure Warning System (LDWS)
- Hill Launch Assist
- Differential Lock
- Electrically Operated Windows
- Electrically Operated and Heated Side Mirrors
- Electrically Operated Headlight Leveling
- Rake and Reach Adjustable Steering Column
- Heated and Air Suspended Driver Seat
- Advanced Emergency Braking System (AEBS)
- Lumbar Support
- Brake Lining Wear Sensor
- Immobilizer
- Single Key with Remote Control and Central Locking
- Home Safe Light
- Approach Light
- Front Fog Lamps
- Digital Tachograph
- Spare Wheel
- DAB Radio*****

OPTIONAL EQUIPMENT

- Residual Collection Pack
- Firefighter Pack
- Clutch Dependent PTO & Interior Control Unit
- Engine Driven PTO & Interior Control Unit **
- ADR
- Cold Climate Pack
- Auxiliary Cabin Heater (Wet Type)
- Power Cab Tilting
- Metallic Paint/Special Colors
- 4750 mm Wheelbase Option
- 5500 mm Wheelbase Option
- Vertical Exhaust *
- Rear Air Suspension Package *** - Axle Load Indicator, 315/60 Wheel and 3,70 FDR or 315/80 Wheel and 4,375 FDR
- Dual Passenger Seat
- 3,5T Towing Capability
- 10T Towing Capability
- 8T Front Axle Technical Capacity (except 5500 & 6550 WB)
- Rear Window
- Manually operated sunroof
- Rain Sensor
- Auto Light Sensor****
- Automated Transmission
- Less Spare Tire
- 200 lt Fuel Tank
- 3800 Wheelbase Option
- 6550 Wheelbase Option
- 550 lt Fuel Tank (with 5500 WB)

* Available for Residual Collection Pack only.

** Available for Residual Collection & Fire Fighters Pack.

*** Not available for 4750mm Wheelbase Option.

**** Available with Rain Sensor

***** DAB Radio can be standard or optional according to the market.

This leaflet includes products designed for Ford vehicles. It provides information about the current technical specifications and the standard or optional accessories available as of the date it was issued. Features of standard and optional accessories of the vehicles may be changed from time to time. For this reason, please consult our Authorized Dealers to obtain updated and accurate information on the features of the vehicle you wish to buy. For the aforementioned reason, this leaflet does not constitute an assurance as to the specifications listed herein. The images used in this leaflet may be different from the vehicles on sale. The technical specifications provided herein are for standard vehicles. Selection of any optional accessories might cause differences from these specifications.