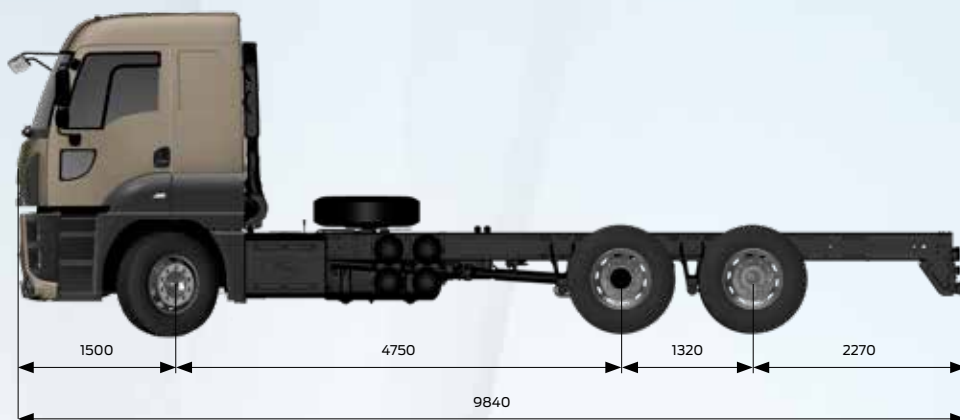
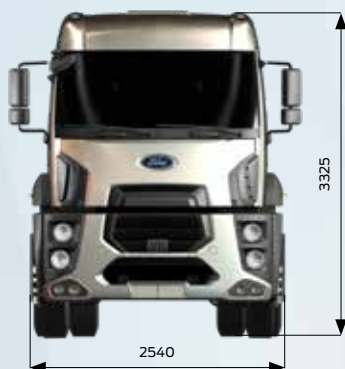


FORD TRUCKS 2542 HR EURO6



Basic Features

| | |
|----------------|-----------------------|
| Vehicle Type | Road Truck |
| Axle | 6x2 |
| Emission | Euro 6 |
| Cabin Type | High Roof Sleeper Cab |
| Wheelbase (mm) | 4750 |

Engine

| | |
|--------------------|------------------------------|
| Type | Ecotorq 12,7 litre |
| Displacement (cc) | 12740 |
| Diameter x Stroke | 130 mm x 160 mm |
| Power | 420 PS (308,9 kW) / 1800 rpm |
| Torque | 2150 Nm / 1000-1300 rpm |
| Compression Ratio | 17 +/- 0,5 : 1 |
| Oil Filling Volume | 50 L |
| Coolant Volume | 37 L (57 L with Intarder) |

Transmission

| | |
|--|----------------------------|
| Clutch | 430 mm Single Disc |
| Automated Transmission / Ratios (1. gear - 12. gear) | ZF 12 TX 2210 (16,688 - 1) |

Steering

Power Assisted Single Circuit

Chassis

| | |
|-------------------------|--|
| Chassis Thickness | 7 mm with Reinforcement |
| Chassis Strength | 355 MPa |
| Suspension (Front/Rear) | Parabolic Leaf Spring / Compensating Arm Mechanical Suspension |
| Axle | Standard Single Reduction |
| Axle Ratio | 2,64 |
| Tyres (Front/Rear) | 12 R 22,5 |
| Wheel Rim | 22,5 x 9 Steel |

Braking System

| | |
|---|---|
| Brakes (Front/Rear) (Ø.mm x mm. Length) | 430 mm Disc Brakes |
| Braking System | Dual Brake Circuit - Air Processing Unit with Integrated Oil Separator and Heater |
| Engine Brake Power | max. 340 kW (Engine Level) |
| Intarder Power | max. 600 kW / continuous 160 kW |

Electrical System

| | |
|----------------------------|---------------------|
| Battery | 24V, 2 x 12V 150 Ah |
| Alternator / Starter Motor | 130 A / 6,5 kW |

Tanks

| | |
|-----------|-----------------|
| Fuel Tank | 550 L Aluminium |
| SCR Tank | 78 L |

| Dimensions (mm) | |
|--|-------|
| Front Overhang | 1500 |
| Wheelbase | 4750 |
| Overall Length | 9840 |
| Distance Between 2 nd and 3 th Wheel Centers | 1330 |
| Overall Cab Length | 2305 |
| Overall Vehicle Height | 3325 |
| Overall Vehicle Width (Excluding Mirrors) | 2540 |
| Chassis Width | 866 |
| Rear Overhang | 2270 |
| Useful Chassis Length | 7108 |
| Chassis Height - Front | 225 |
| Chassis Height - Rear | 285 |
| Ground Clearance - Front | 330 |
| Ground Clearance - Rear | 370 |
| Turning Radius | 10140 |

| Weights (kg) | 1. Axle | 2. Axle | 3. Axle | Total |
|---------------------------------|---------|---------|---------|-------|
| Technically Permissible Weights | 7100 | 12600 | 10400 | 26000 |
| Kerb Weight | 5396 | 2274 | 1546 | 9216 |
| Payload | 1704 | 10326 | 8854 | 16784 |
| GVM (Legal) | 7100 | 11500 | 10000 | 25000 |

STANDARD EQUIPMENT

- Air Conditioner
- Auxiliary Cabin Heater (Dry Type)
- Radio/CD/MP3 Player
- Cruise Control
- Automated Transmission
(With Different Usage Modes)
- Disc Brake
- Engine Brake
- Electronic Brake System (EBS) Including
Anti-Lock Brake System (ABS)
- Electronic Stability Control (ESP)
- Lane Departure Warning System (LDWS)
- Hill Launch Assist
- Differential Lock
- Electrically Operated Windows
- Electrically Operated and Heated Side Mirrors
- Heated and Air Suspended Driver Seat
- Electrically Operated Headlight Leveling
- Rake and Reach Adjustable Steering Column
- Lumbar Support
- Manually Operated Sunroof
- Brake Lining Wear Sensor
- Immobilizer
- Single Key with Remote Control and Central Locking
- Rain Sensor
- Auto Light Sensor
- Home Safe Light
- Approach Light
- Front Fog Lamps
- Digital Tachograph
- Spare Wheel
- Tag Axle Lifting (Auto Drop Function)
- Air Suspended Cab

OPTIONAL EQUIPMENT

- Firefighter Pack
- Engine Driven PTO & Interior Control Unit *
- Transmission Driven PTO Options & Interior Control Unit
- ADR
- Cold Climate Pack
- Auxiliary Cabin Heater (Wet Type)
- Power Cab Tilting
- Metallic Paint / Special Colors
- Intarder
- Advanced Emergency Braking System (AEBS)
- Upper Sleeper Bunk
- Spoiler

* Available for Firefighter Pack Only